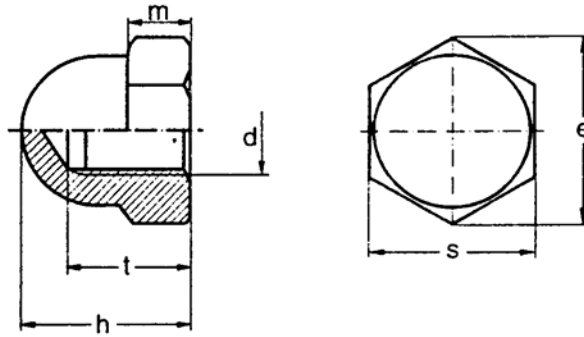


METRIC CLASS 6 ACORN (CAP) NUTS



Diameter	m	h	t	s	e
	Hex Height	Thickness	Depth of Threads	Width Across Flats	Width Across Corners
M3	3.2	8	5.5	7	5.50
M4	3.2	8	5.5	7	7.66
M5	4.0	10	7.5	8	8.79
M6	5.0	12	8.0	10	11.05
M8	6.5	15	11.0	13	14.38
M10	8.0	18	13.0	17	18.90
M12	10.0	22	16.0	19	21.10
M14	11.0	25	18.0	22	23.35
M16	13.0	28	21.0	24	26.75
M18	15.0	32	25.0	27	30.14
M20	16.0	34	26.0	30	33.53
M22	18.0	39	29.0	32	35.72
M24	19.0	42	31.0	36	39.98