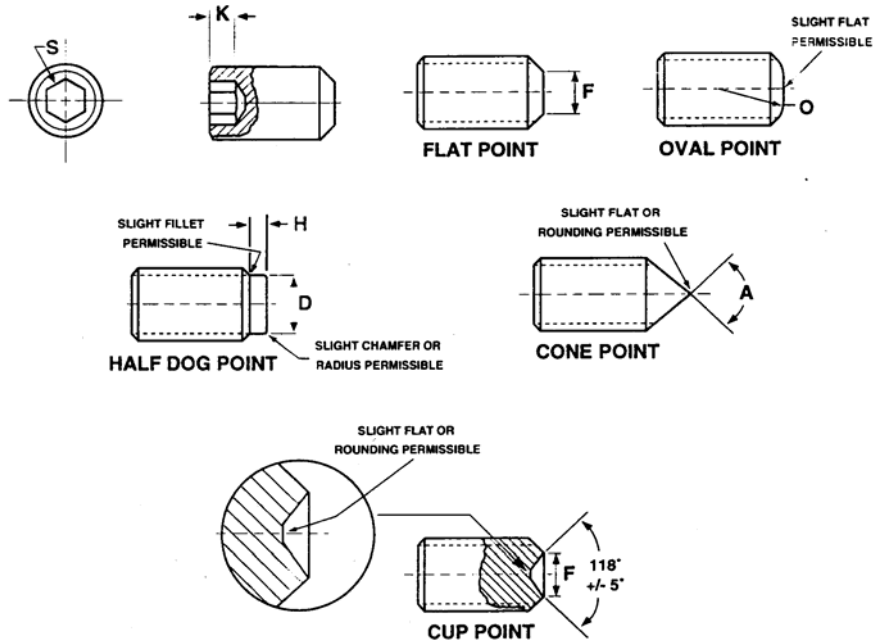


SOCKET SET SCREWS



| Nominal Size | S | K | F | | O | D | | H | | Shortest Length to Which K Applies | | | A |
|--------------|----------------------|---------------------|-----------------------|-------|-------------------|----------------|-------|--------|-------|------------------------------------|----------------------|----------------|------------------------------------------------|
| | Hexag-on Socket Size | Min Key Engage-ment | Cup & Flat Point Dia. | | Oval Point Radius | Half Dog Point | | | | Cup & Flat Points | 90° Cone & Oval Pts. | Half Dog Point | Cone Pt. Angle 90° For These Lengths Or Longer |
| | Nom | Min | Max | Min | Basic | Diameter | | Length | | | | | |
| | | | | | | Max | Min | Max | Min | | | | |
| 4 | 0.050 | 0.070 | 0.061 | 0.051 | 0.084 | 0.075 | 0.070 | 0.030 | 0.026 | 0.19 | 0.19 | 0.19 | 0.19 |
| 5 | 1/16 | 0.080 | 0.067 | 0.057 | 0.094 | 0.083 | 0.078 | 0.033 | 0.027 | 0.19 | 0.19 | 0.19 | 0.19 |
| 6 | 1/16 | 0.080 | 0.074 | 0.064 | 0.104 | 0.092 | 0.087 | 0.038 | 0.032 | 0.19 | 0.25 | 0.19 | 0.19 |
| 8 | 5/64 | 0.090 | 0.087 | 0.076 | 0.123 | 0.109 | 0.103 | 0.043 | 0.037 | 0.19 | 0.25 | 0.25 | 0.25 |
| 10 | 3/32 | 0.100 | 0.102 | 0.088 | 0.142 | 0.127 | 0.120 | 0.049 | 0.041 | 0.19 | 0.25 | 0.25 | 0.25 |
| 1/4 | 1/8 | 0.125 | 0.132 | 0.118 | 0.188 | 0.156 | 0.149 | 0.067 | 0.059 | 0.25 | 0.31 | 0.31 | 0.31 |
| 5/16 | 5/32 | 0.156 | 0.172 | 0.156 | 0.234 | 0.203 | 0.195 | 0.082 | 0.074 | 0.31 | 0.44 | 0.38 | 0.38 |
| 3/8 | 3/16 | 0.188 | 0.212 | 0.194 | 0.281 | 0.250 | 0.241 | 0.099 | 0.089 | 0.38 | 0.44 | 0.44 | 0.44 |
| 7/16 | 7/32 | 0.219 | 0.252 | 0.232 | 0.328 | 0.297 | 0.287 | 0.114 | 0.104 | 0.44 | 0.63 | 0.50 | 0.50 |
| 1/2 | 1/4 | 0.250 | 0.291 | 0.270 | 0.375 | 0.344 | 0.334 | 0.130 | 0.120 | 0.50 | 0.63 | 0.63 | 0.57 |
| 5/8 | 5/16 | 0.312 | 0.371 | 0.347 | 0.469 | 0.469 | 0.456 | 0.164 | 0.148 | 0.63 | 0.88 | 0.88 | 0.75 |
| 3/4 | 3/8 | 0.375 | 0.450 | 0.425 | 0.562 | 0.562 | 0.549 | 0.196 | 0.180 | 0.75 | 1.00 | 1.00 | 0.88 |
| 7/8 | 1/2 | 0.500 | 0.530 | 0.502 | 0.656 | 0.656 | 0.642 | 0.227 | 0.211 | 0.88 | 1.00 | 1.00 | 1.00 |
| 1 | 9/16 | 0.562 | 0.609 | 0.579 | 0.750 | 0.750 | 0.734 | 0.260 | 0.240 | 1.00 | 1.25 | 1.25 | 1.13 |

ASME B18.3/ASTM F912



Copper State Bolt & Nut Co

(800) 603-6887

For Terms of Use visit www.copperstate.com