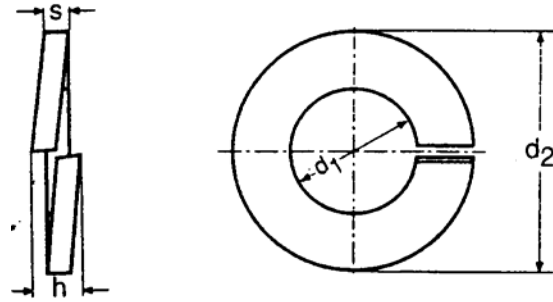


METRIC MEDIUM SPLIT LOCK WASHERS



| Bolt Size | d ₁ | d ₂ | s |
|-----------|-----------------|------------------|-----------|
| | Inside Diameter | Outside Diameter | Thickness |
| M2 | 2.1 | 4.4 | 0.5 |
| M2.5 | 2.6 | 5.1 | 0.6 |
| M3 | 3.1 | 6.2 | 0.8 |
| M3.5 | 3.6 | 6.7 | 0.8 |
| M4 | 4.1 | 7.6 | 0.9 |
| M5 | 5.1 | 9.2 | 1.2 |
| M6 | 6.1 | 11.8 | 1.6 |
| M7 | 7.1 | 12.8 | 1.6 |
| M8 | 8.1 | 14.8 | 2.0 |
| M10 | 10.2 | 18.1 | 2.2 |
| M12 | 12.2 | 21.1 | 2.5 |
| M14 | 14.2 | 24.1 | 3.0 |
| M16 | 16.2 | 27.4 | 3.5 |
| M18 | 18.2 | 29.4 | 3.5 |
| M20 | 20.2 | 33.6 | 4.0 |
| M22 | 22.5 | 35.9 | 4.0 |
| M24 | 24.5 | 40.0 | 5.0 |
| M27 | 27.5 | 43.0 | 5.0 |