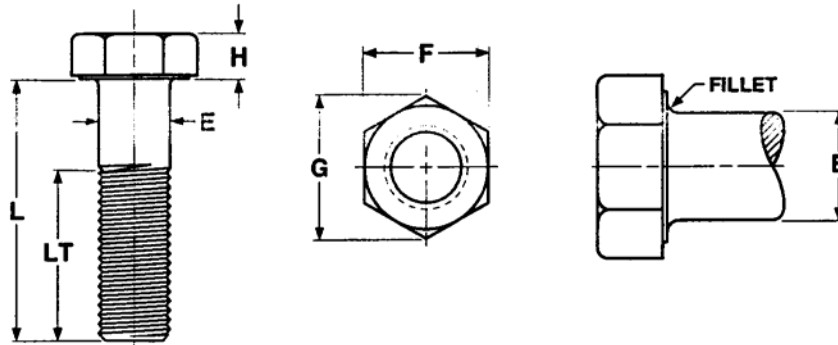


## HEX HEAD CAP SCREWS (GR 5 AND 8)



Nominal or Basic Product Dia.	E		F			G		H			R	LT	
	Body Diameter		Width Across Flats			Width Across Corners		Head Height			Radius of Fillet	Thread	Length
	Max	Min	Basic	Max	Min	Max	Min	Basic	Max	Min		Min	For Screw Lengths ≤ 6 in.
1/4 0.2500	0.2500	0.2450	7/16	0.438	0.428	0.505	0.488	5/32	0.163	0.150	0.015	0.750	1.000
5/16 0.3125	0.3125	0.3065	1/2	0.500	0.489	0.577	0.557	13/64	0.211	0.195	0.015	0.875	1.125
3/8 0.3750	0.3750	0.3690	9/16	0.562	0.551	0.650	0.628	15/64	0.243	0.226	0.015	1.000	1.250
7/16 0.4375	0.4375	0.4305	5/8	0.625	0.612	0.722	0.698	9/32	0.291	0.272	0.015	1.125	1.375
1/2 0.5000	0.5000	0.4930	3/4	0.750	0.736	0.866	0.840	5/16	0.323	0.302	0.015	1.250	1.500
9/16 0.5625	0.5625	0.5545	13/16	0.812	0.798	0.938	0.910	23/64	0.371	0.348	0.020	1.375	1.625
5/8 0.6250	0.6250	0.6170	15/16	0.938	0.922	1.083	1.051	25/64	0.403	0.378	0.020	1.500	1.750
3/4 0.7500	0.7500	0.7410	1-1/8	1.125	1.100	1.299	1.254	15/32	0.483	0.455	0.020	1.750	2.000
7/8 0.8750	0.8750	0.8660	1-5/16	1.312	1.285	1.516	1.465	35/64	0.563	0.531	0.040	2.000	2.250
1 1.0000	1.0000	0.9900	1-1/2	1.500	1.469	1.732	1.675	39/64	0.627	0.591	0.060	2.250	2.500
1-1/8 1.1250	1.1250	1.1140	1-11/16	1.688	1.631	1.949	1.859	11/16	0.718	0.658	0.060	2.500	2.750
1-1/4 1.2500	1.2500	1.2390	1-7/8	1.875	1.812	2.165	2.066	25/32	0.813	0.749	0.060	2.750	3.000
1-3/8 1.3750	1.3750	1.3630	2-1/6	2.062	1.994	2.382	2.273	27/32	0.878	0.810	0.060	3.000	3.250
1-1/2 1.5000	1.5000	1.4880	2-1/4	2.250	2.175	2.598	2.480	15/16	0.974	0.902	0.060	3.250	3.500

ASME18.2.1