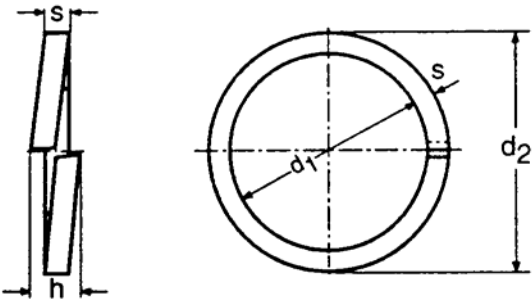


METRIC HIGH COLLAR SPLIT LOCK WASHERS



Bolt Size	d_1	d_2	s
	Inside Diameter	Outside Diameter	Thickness
		max.	
M3	3.1	5.6	1.0
M3.5	3.6	6.1	1.0
M4	4.1	7.0	1.2
M5	5.1	8.8	1.6
M6	6.1	9.9	1.6
M8	8.1	12.7	2.0
M10	10.2	16.0	2.5
M12	12.2	18.0	2.5
M14	14.2	21.1	3.0
M16	16.2	24.4	3.5
M18	18.2	26.4	3.5
M20	20.2	30.6	4.5
M22	22.5	32.9	4.5
M24	24.5	35.9	5.0
M27	27.5	38.9	5.0

