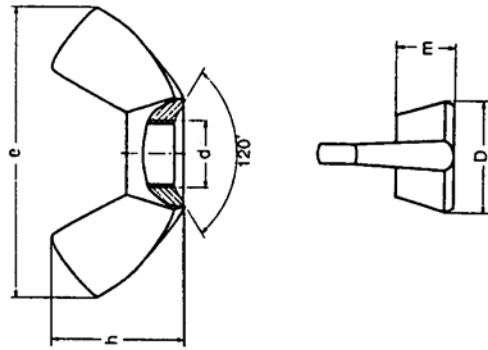


METRIC CLASS 5 WING NUTS COLD FORGED



Diameter	D	e	h	m
	Boss Diameter	Wing Spread	Wing Height	Boss Height
M3	8.0	17.6	8.6	2.9
M4	8.0	17.6	8.6	2.9
M5	10.3	22.5	11.0	4.1
M6	12.7	27.8	13.6	5.1
M8	13.8	30.3	14.8	5.6
M10	16.5	36.2	17.7	6.8
M12	22.5	49.4	24.1	9.0
M14	26.6	58.3	28.5	10.7
M16	26.6	58.3	28.5	10.7
M18	29.5	68.5	33.8	13.5
M20	29.5	68.5	33.8	13.5