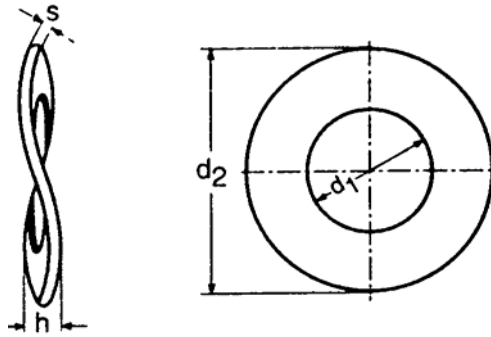


METRIC WAVE WASHERS



Bolt Size	d_1	d_2	s
	Inside Diameter	Outside Diameter	Thickness
M3	3.2	8	0.5
M3.5	3.7	8	0.5
M4	4.3	9	0.5
M5	5.3	11	0.5
M6	6.4	12	0.5
M7	7.4	14	0.8
M8	8.4	15	0.8
M10	10.5	21	1.0
M12	13.0	24	1.2
M14	15.0	28	1.6
M16	17.0	30	1.6
M18	19.0	34	1.6
M20	21.0	36	1.6
M22	23.0	40	1.8
M24	25.0	44	1.8