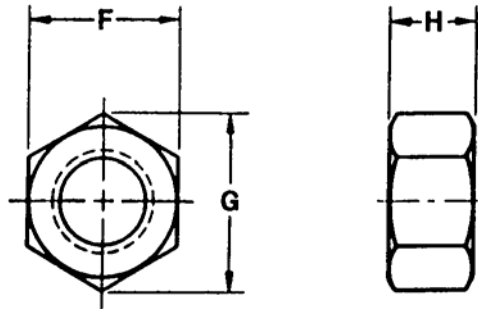


A563 GRADE DH HEAVY HEX NUTS



Basic Diameter	F			G		H		
	Width Across Flats			Width Across Corners		Thickness		
	basic	max.	min.	max.	min.	basic	max.	min.
1/4	1/2	0.500	0.488	0.577	0.556	15/64	0.250	0.218
5/16	9/16	0.562	0.546	0.650	0.622	19/64	0.314	0.280
3/8	11/16	0.688	0.669	0.794	0.763	23/64	0.377	0.341
7/16	3/4	0.750	0.728	0.866	0.830	27/64	0.441	0.403
1/2	7/8	0.875	0.850	1.010	0.969	31/64	0.504	0.464
9/16	15/16	0.938	0.909	1.083	1.037	35/64	0.568	0.526
5/8	1 1/16	1.063	1.031	1.227	1.175	39/64	0.631	0.587
3/4	1 1/4	1.250	1.212	1.443	1.382	47/64	0.758	0.710
7/8	1 7/16	1.438	1.394	1.660	1.589	55/64	0.885	0.833
1	1 5/8	1.625	1.575	1.876	1.796	63/64	1.012	0.956
1 1/8	1 13/16	1.812	1.756	2.093	2.002	1 7/64	1.139	1.079
1 1/4	2	2.000	1.938	2.309	2.209	1 7/32	1.251	1.187
1 3/8	2 3/16	2.188	2.119	2.526	2.416	1 11/32	1.378	1.310
1 1/2	2 3/8	2.375	2.300	2.742	2.622	1 15/32	1.505	1.433
1 5/8	2 9/16	2.562	2.481	2.959	2.828	1 19/32	1.632	1.556
1 3/4	2 3/4	2.750	2.662	3.175	3.035	1 23/32	1.759	1.679
1 7/8	2 15/16	2.938	2.844	3.392	3.242	1 27/32	1.886	1.802
2	3 1/8	3.125	3.025	3.608	3.449	1 31/32	2.013	1.925
2 1/4	3 1/2	3.500	3.388	4.041	3.862	2 13/64	2.251	2.155
2 1/2	3 7/8	3.875	3.750	4.474	4.275	2 29/64	2.505	2.401
2 3/4	4 1/4	4.250	4.112	4.907	4.688	2 45/64	2.759	2.647
3	4 5/8	4.625	4.475	5.340	5.102	2 61/64	3.013	2.893
3 1/4	5	5.000	4.838	5.774	5.515	3 3/16	3.252	3.124
3 1/2	5 3/8	5.375	5.200	6.207	5.928	3 7/16	3.506	3.370
3 3/4	5 3/4	5.750	5.562	6.640	6.341	3 11/16	3.760	3.616
4	6 1/8	6.125	5.925	7.073	6.755	3 15/16	4.014	3.862

ASME B18.2.6



Copper State Bolt & Nut Co

(800) 603-6887